



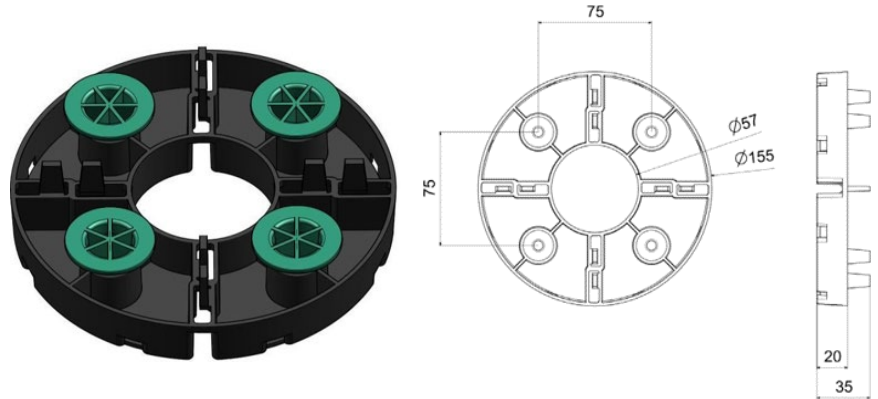
FIXED PLASTIC PEDESTAL TECHNICAL DATA SHEET

Reference: 914850
Model: TBF-30.
Unit weight: 108g

Box
Units: 120.
Weight: 17Kg
Dimensions: 780x330x386

Pallet P1,2:
Box: 9 (1080 pcs)
Weight: 133 Kg
Dimensions: 1200x800x1308

TBF-30 roof tile for raised floors with 30 mm. Can be divided in four pieces in order to be applied in corner and edge lines details without any extra cost. .



Technical Features.

The products are produced from recycle PP materials.
Product's height is a 30mm.
Outer-diameter is 155mm and inter-diameter is a 57mm.
Resistant to bad weather conditions, aging and most of chemical reaction.

Test results

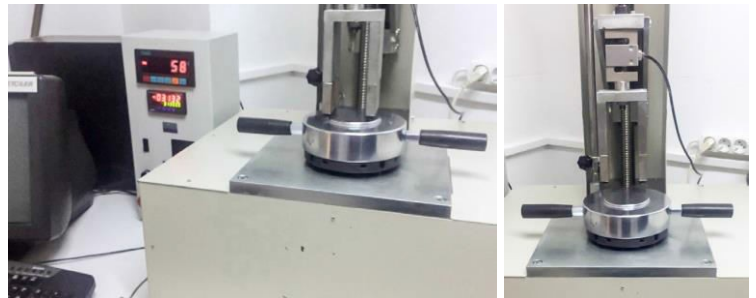
Position	Height (mm)	Slope	Load (kN)
1/1	20	0%	45
1/2	20	0%	38,25
1/4	20	0%	31

1/1: Load evenly applied across entirety of the load-bearing surface

1/2: load applied to half of load-bearing surface.

1/4: load applied to one quarter of the load-bearing surface.

1 kN = 101,kg
1 kg / f = 2,20 lb /f



Application

TAYG PEDESTALS allow to and permanent height. Can support any type of ceramic or timber decking, stone, concrete paving or flag material, as well as fibreglass or metal grid panels.

Suitable for any kind of stable substrate, including applications directly over insulation panels.

Covering size	m ² / pcs.
30 x 30 cm	11,10
40 x 40 cm	6,25
30 x 60 cm	5,56
40 x 60 cm	4,17
50 x 50 cm	4,00
60 x 60 cm	2,78