



# FIXED PLASTIC PEDESTAL TECHNICAL DATA SHEET

Reference: 914843

Model: TBF-20.

Unit weight: 68g.

### Box

Units: 180.

Weight: 13Kg

Dimensions: 780x330x386

### Pallet P1,2

Box: 9 (1620 pcx)

Weight: 133Kg

Dimensiones: 1200x800x1308

TBF-20 roof tile for raised floors with 20 mm. Can be divided in four pieces in order to be applied in corner and edge lines details without any extra cost.

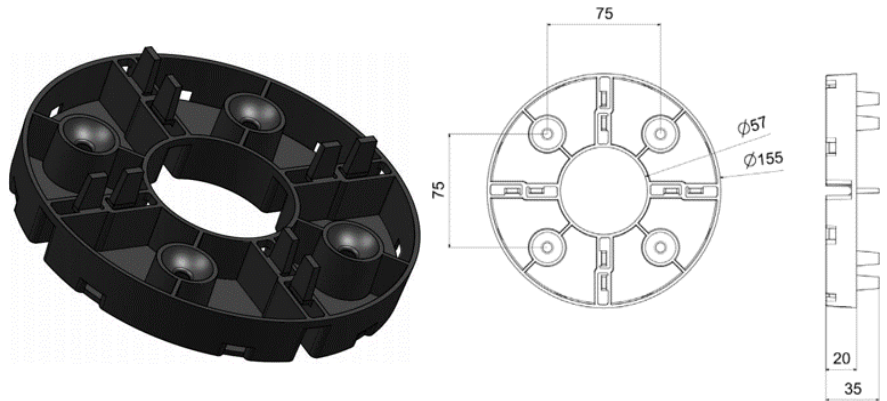
### Technical Features.

The products are produced from recycle PP materials.

Product's height is 20mm.

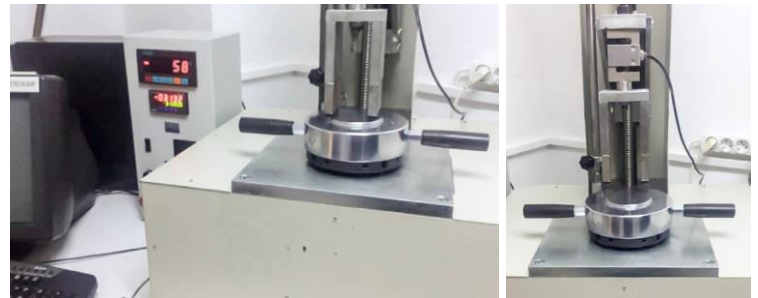
Outer-diameter is a 155mm and inter-diameter is a 57mm.

Resistant to bad weather conditions, aging and most of chemical reaction.



### Test results

Position	Height (mm)	Slope	Load (kN)
1/1	20	0%	49,5
1/2	20	0%	42
1/4	20	0%	34
1/1	20	5%	48
1/2	20	5%	40
1/4	20	5%	35



1/1: Load evenly applied across entirety of the load-bearing surface

1/2: load applied to half of load-bearing surface.

1/4: load applied to one quarter of the load-bearing surface.

1 kN = 101,kg  
1 kg / f = 2,20 lb /f

### Application

TAYG PEDESTALS allow to and permanent height. Can support any type of ceramic or timber decking, stone, concrete paving or flag material, as well as fibreglass or metal grid panels.

Suitable for any kind of stable substrate, including applications directly over insulation panels.

Covering size	m <sup>2</sup> / pcs.
30 x 30 cm	11,10
40 x 40 cm	6,25
30 x 60 cm	5,56
40 x 60 cm	4,17
50 x 50 cm	4,00
60 x 60 cm	2,78

**INDUSTRIAS TAYG, S.L.U**  
Avenida Real de Madrid (Norte), 70  
46469 BENIPARRELL VALENCIA – SPAIN

[www.tayg.com](http://www.tayg.com)