



# FIXED PLASTIC PEDESTAL TECHNICAL DATA SHEET

Reference: 914829

Model: TBF-14.

Unit weight: 47g

**Box**

Weight: 12kg

Units: 260

Dimensions: 780x330x386

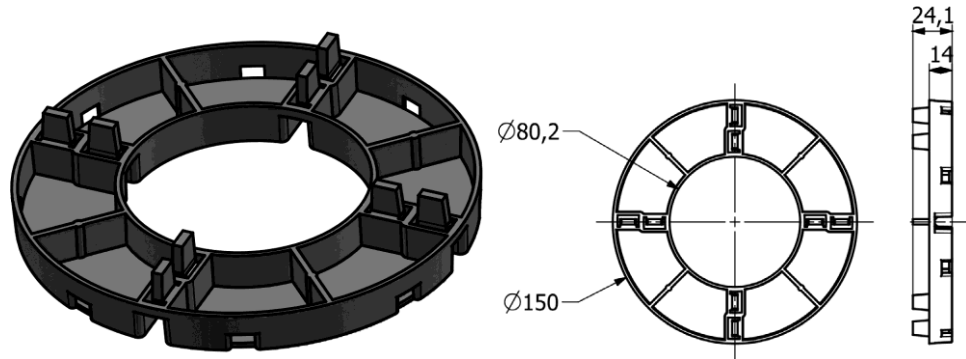
**PALLET P1,2**

Box: 9 (2340 pcs)

Weight: 124Kg

Dimensions: 1200x800x1308

TBF-14mm roof tile for raised floors with 14 mm. Can be divided in four pieces in order to be applied in corner and edge lines details without any extra cost.

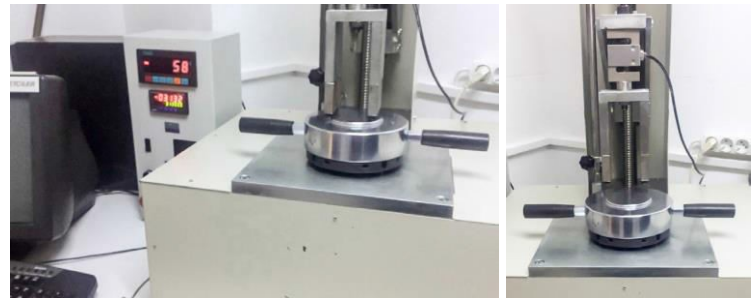


**Technical Features.**

The products are produced from Recycle PP materials.  
Product's height is 14mm.  
Outer-diameter is 150mm and inter-diameter is 80.2mm.  
Resistant to bad weather conditions, aging and most of chemical reaction.

**Test results**

Position	Height (mm)	Slope	Load (kN)
1/1	20	0%	58,25
1/2	20	0%	52,5
1/4	20	0%	45,25



1/1: Load evenly applied across entirety of the load-bearing surface

1/2: load applied to half of load-bearing surface.

1/4: load applied to one quarter of the load-bearing surface.

1 kN = 101,kg  
1 kg / f = 2,20 lb /f

**Application**

TAYG PEDESTALS allow to and permanent height. Can support any type of ceramic or timber decking, stone, concrete paving or flag material, as well as fibreglass or metal grid panels.

Suitable for any kind of stable substrate, including applications directly over insulation panels.

Covering size	m <sup>2</sup> / pcs.
30 x 30 cm	11,10
40 x 40 cm	6,25
30 x 60 cm	5,56
40 x 60 cm	4,17
50 x 50 cm	4,00
60 x 60 cm	2,78